



LED FLAT PANEL LIGHT

TECHNICAL SPECIFICATIONS

Housing Aluminum
Finish Color White
Mounting ceiling build-in, suspended,
surface mount.

OPTICAL & PERFORMANCE SPECIFICATIONS

Efficacy 130 L/W
IP Rating IP44
BeamAngle 120°
L70 >50,000 hours
Certification cETLus, CE, RoHS, FCC,
LM79, LM80, DLC premium

ELECTRICAL SPECIFICATIONS

Lighting Source LED SMD
Wattage PowerFactor 48w
Ambient temperature >90
Input Voltages -20° (to 30°
(100/277vAC
Lumen Output 6240



DLC Codes:
DM-P72448W-40K-ZZ
DM-P72448W-50K-ZZ



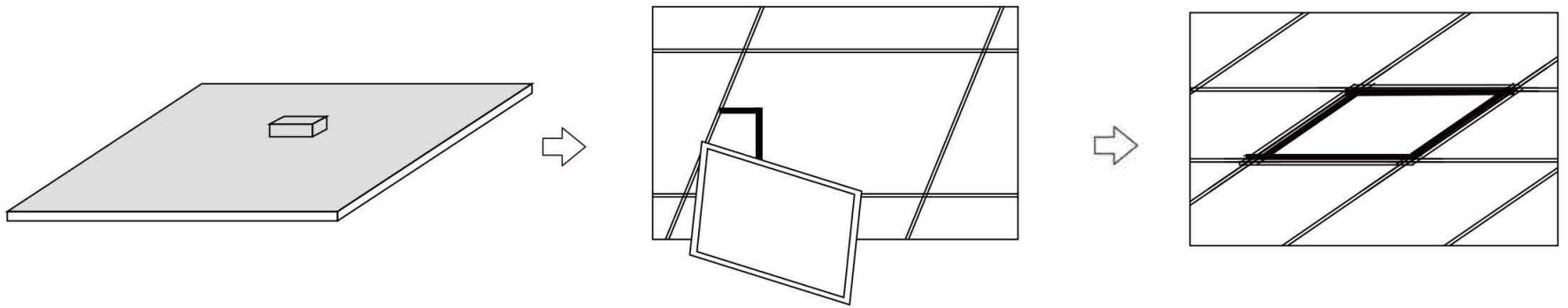
LM79
LM80

Intertek
5005344

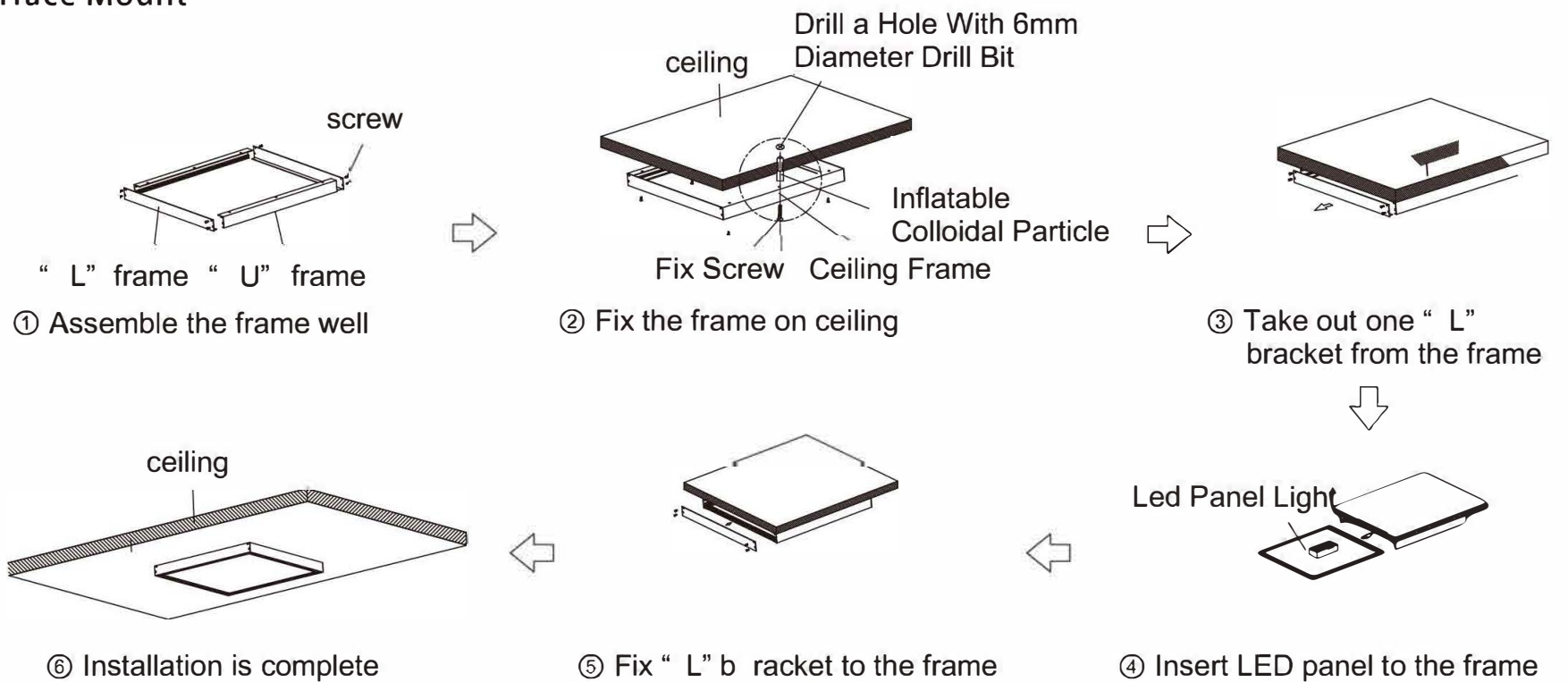
Installation Guide


Multiple installation methods

Build-in



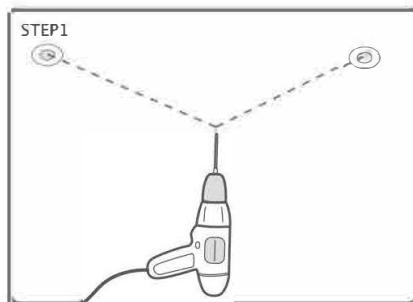
Surface Mount



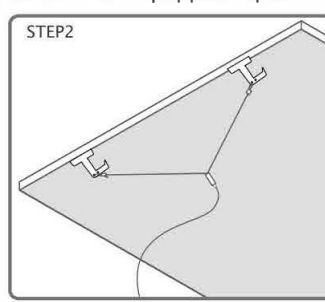
 Please make sure the frame is assembled well before fixed on ceiling

Suspended

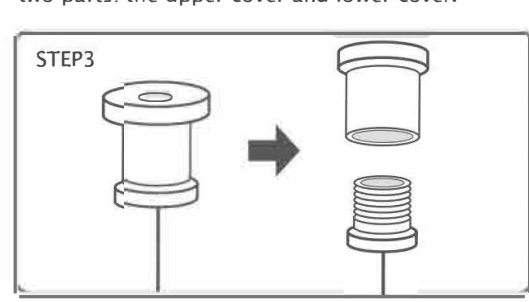
According to the width of the panel light, drill 2 mounting holes on the mounting position



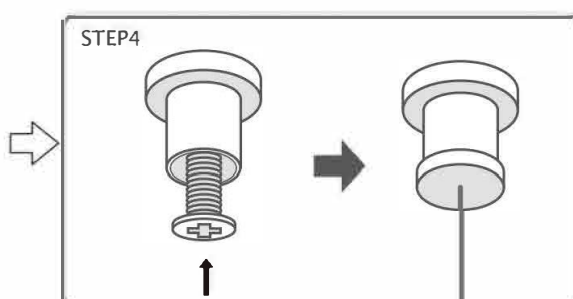
Button the panel light with the dog buckle of the equipped rope.



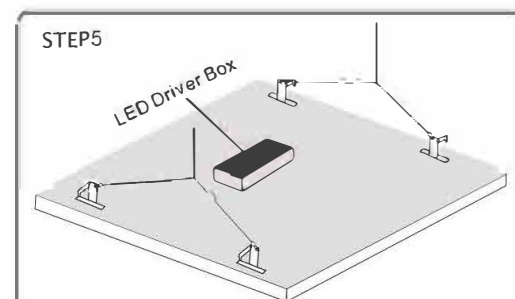
Twist off the rope grab device, and divide it into two parts: the upper cover and lower cover.



Fix the upper cover into prepared mounting holes with self-tapping screws (not included), and then twist on the lower cover.



Connect LED panel light by the hook of suspension wire

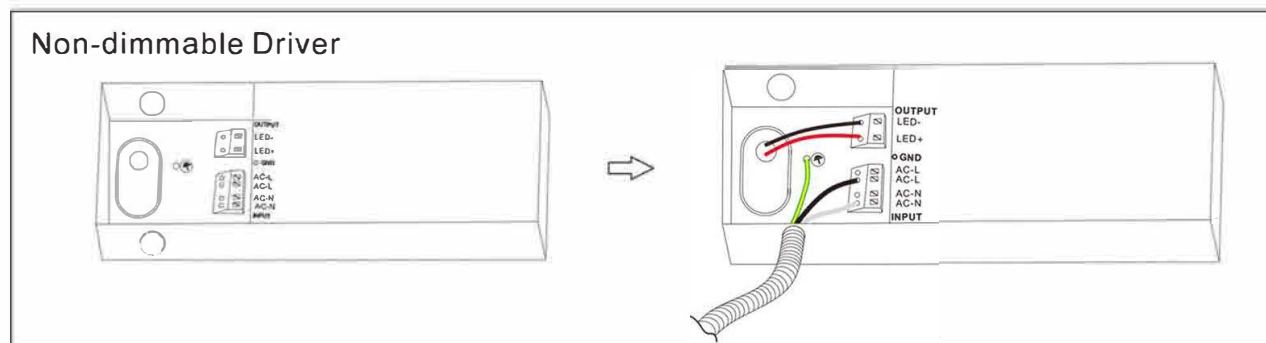
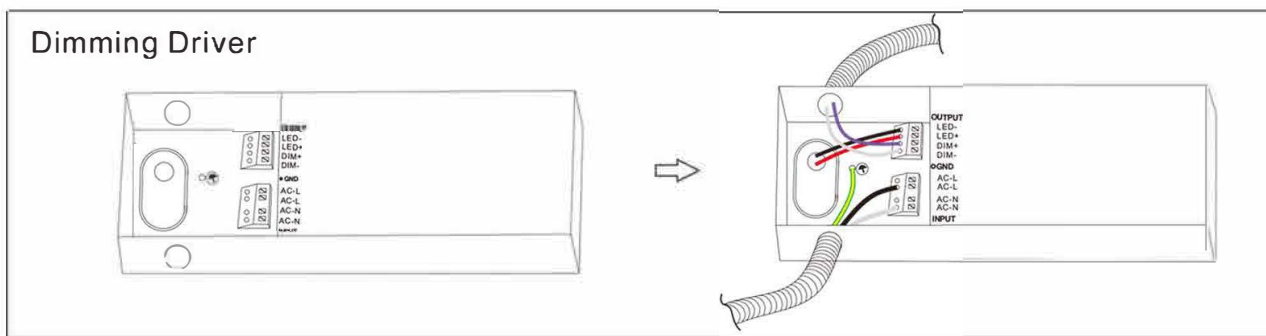


Emergency Power Supply



- ★ UL Approved
- ★ Output Current and Voltage 420-800mA 25V 48V
- ★ Charging time: 24 Hours
- ★ Illumination Time: 90 Minutes
- ★ Selectable emergency power 10W,15W,20W

Connection Mode



Amplex